

SYSTEM 8 PELLET PIPE

1.2mm Pellet Stove
Pipes (Matt Black)

PELLET

1.2 mm Pellet Stove Pipes

Matt black vitreous enamelled
1.2 mm pipes for pellet stoves

Prices shown are List Prices



MATT BLACK ONLY



Pellet

WITH GASKET



EN 1856-2 – T250* – P1 – W
V2 – L80100 – O100

*Temperature class T250 achieved with Silicone gaskets

WITHOUT GASKET



EN 1856-2 – T600 – N1 – W
V2 – L80100 – G375NM



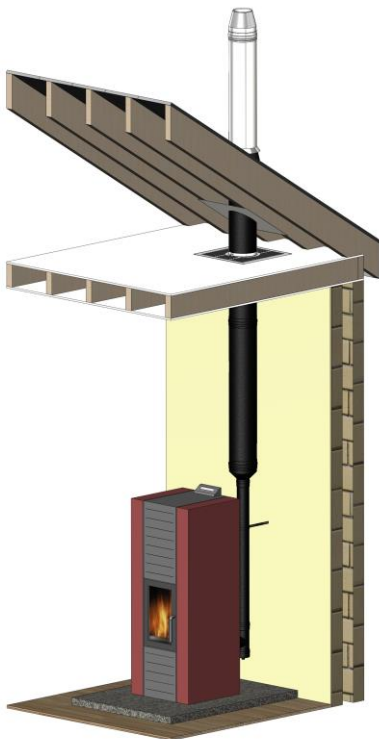
EN 1856-2 – T600 – N1 – W
V2 – L80100 – O360



EN 1856-2 – T450 – N1 – W
V2 – L80100 – G375NM



EN 1856-2 – T450 – N1 – W
V2 – L80100 – O300



ATTENTION: Gaskets are not included

This is a range of flue pipes specially designed for pellet stoves which require a very high pressure class (P1) as they have a fan in the combustion circuit. Such a class can only be achieved with the use of gaskets.

These pipes have the same constructive characteristics as the 1.2 mm pipes: laser-welding ensures these carbon steel pipes perfect welding. Subsequent internal/external vitreous enamel coating baked to 850°C provides exceptional resistance against corrosion by combustion condensate. Total thickness (steel plus enamel coating) is 1.2 mm.

They are perfectly resistant even to extreme situations such as soot-fire (a fire that occurs inside the pipe) without being damaged or modified; obviously, if a soot-fire should occur, the gaskets must be checked for signs of deterioration and changed if necessary.

Chimney Plate

The chimney plate provides information regarding the Supplier, designation, nominal size, distance to combustibles, Installer name, installation date, chimney location and thermal distance.

It is to be completed by the Installer and securely fixed in an obvious position within the building such as next to the electricity or gas consumer unit, next to the chimney hearth or next to the water supply stop-cock.

PELLET Flue Pipe - Lengths

Matt black enamelled 1.2mm pipes for pellet stoves

Dia	LENGTH	Product Code	Description	Price
80mm	1000mm	PN800	PN800 80mm x 1000mm VE Matt Black Pellet Pipe	€ 38.62
80mm	500mm	PN801	PN801 80mm x 500mm VE Matt Black Pellet Pipe	€ 25.63
80mm	250mm	PN802	PN802 80mm x 250mm VE Matt Black Pellet Pipe	€ 21.14
80mm	ADJUSTABLE	PN842	PN842 80mm x ADJ 350-580MM VE Matt Black Pellet Pipe	€ 66.69
100mm	1000mm	PN1000	PN1000 100mm x 1000mm VE Matt Black Pellet Pipe	€ 44.42
100mm	500mm	PN1001	PN1001 100mm x 500mm VE Matt Black Pellet Pipe	€ 29.49
100mm	250mm	PN1002	PN1002 100mm x 250mm VE Matt Black Pellet Pipe	€ 24.30



1000mm

500mm

250mm



Adjustable 350-580mm

PELLET Flue Pipe – Bends

Matt black enamelled 1.2mm 90° Bends with door and 45° Bends

90° and 45° Bends are used to provide a change in direction in a flue run.
The 90° Bend with access door also provides for cleaning and inspection of the chimney system.

Dia	BEND	Product Code	Description	Price
80mm	45°	PN804	PN804 80mm x 45° Bend VE Matt Black Pellet Pipe	€ 38.97
80mm	90° with Door	PN808	PN808 80mm x 90° Bend With DOOR VE Matt Black Pellet Pipe	€ 61.92
100mm	90° with Door	PN1008	PN1008 100mm x 90° Bend With DOOR VE Matt Black Pellet Pipe	€ 66.15
100mm	45°	PN1004	PN1004 100mm x 45° Bend VE Matt Black Pellet Pipe	€ 40.15



45°



90° with Door

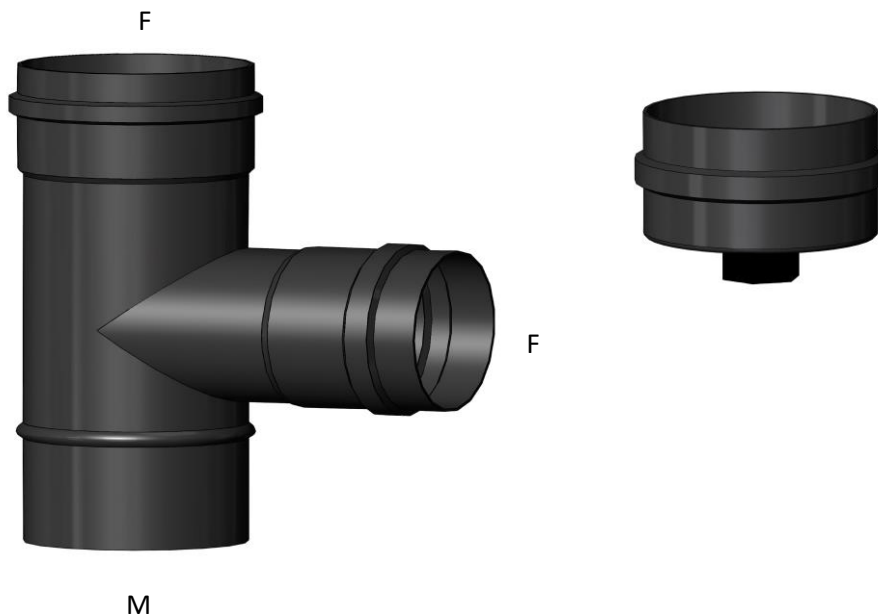
PELLET Flue Pipe – 90° Tee / Tee Cap with Drain

Matt black 1.2mm Female/Female 90° Tee / Tee Cap with Drain

A 90° Tee is used at the bottom of a flue run and allows the flue system to be easily cleaned.

The Tee Cap with Drain facilitates the drainage of condensate from the system.

Dia	TEE	Product Code	Description	Price
80mm	90°	PN805F	PN805F 80mm x 90° TEE VE Matt Black Pellet Pipe	€ 48.58
100mm	90°	PN1005F	PN1005F 100mm x 90° TEE VE Matt Black Pellet Pipe	€ 55.85
Dia	TEE CAP & DRAIN	Product Code	Description	Price
80mm	Tee Cap & Drain	PN818	PN818 80mm x TEE CAP & DRAIN VE Matt Black Pellet Pipe	€ 35.17
100mm	Tee Cap & Drain	PN1018	PN1018 100mm x TEE CAP & DRAIN VE Matt Black Pellet Pipe	€ 40.41



PELLET - Adaptors

Matt black enamelled 1.2mm female to female Adaptor for pellet stoves

This adaptor is designed to fit over the appliance spigot and connect to the 1.2mm pellet stove product

Dia	ADAPTOR	Product Code	Description	Price
80mm	Start Off	PN817F	PN817 F80mm x FEMALE/FEMALE ADAPTOR mm VE Matt Black Pellet Pipe	€ 24.30
100mm	Reducing	PN10F/8M	PN10/8 100mm x ADAPTOR REDUCING TO 80MM VE Matt Black Pellet Pipe	€ 63.57
100mm	Start Off	PN1017F	PN1017F 100mm x FEMALE/FEMALE ADAPTOR mm VE Matt Black Pellet Pipe	€ 24.30



Adaptor



Reducing Adaptor

PELLET – Rosette Plates 90° and 45°

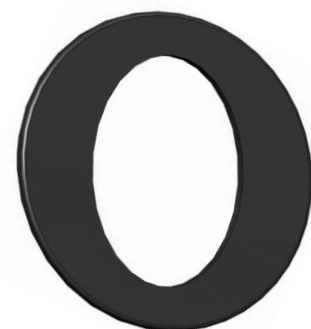
Matt black painted Rosette Plates

A Rosette Plate is used for aesthetic purposes to improve the finish of a flue as it penetrates a wall.

Dia	ROSETTE	Product Code	Description	Price
80mm	90°	NN810	NN810 80mm x 90°Rosette PLATE PAINT Matt Black Pellet Pipe	€ 16.82
80mm	45°	NN814	NN814 80mm x 45°Rosette PLATE PAINT Matt Black Pellet Pipe	€ 16.82
100mm	90°	NN1010	NN1010 100mm x 90°Rosette PLATE PAINT Matt Black Pellet Pipe	€ 16.82



90°



45°

PELLET – Gasket Seal

Silicone Gaskets Resistant up to 200°C

Dia	SEAL	Product Code	Description	Price
80mm	Seal	AS819	AS819 80mm Silicone Gasket Seal	€ 1.36
100mm	Seal	AS1019	AS1019 100mm Silicone Gasket Seal	€ 2.99



PELLET - Brackets

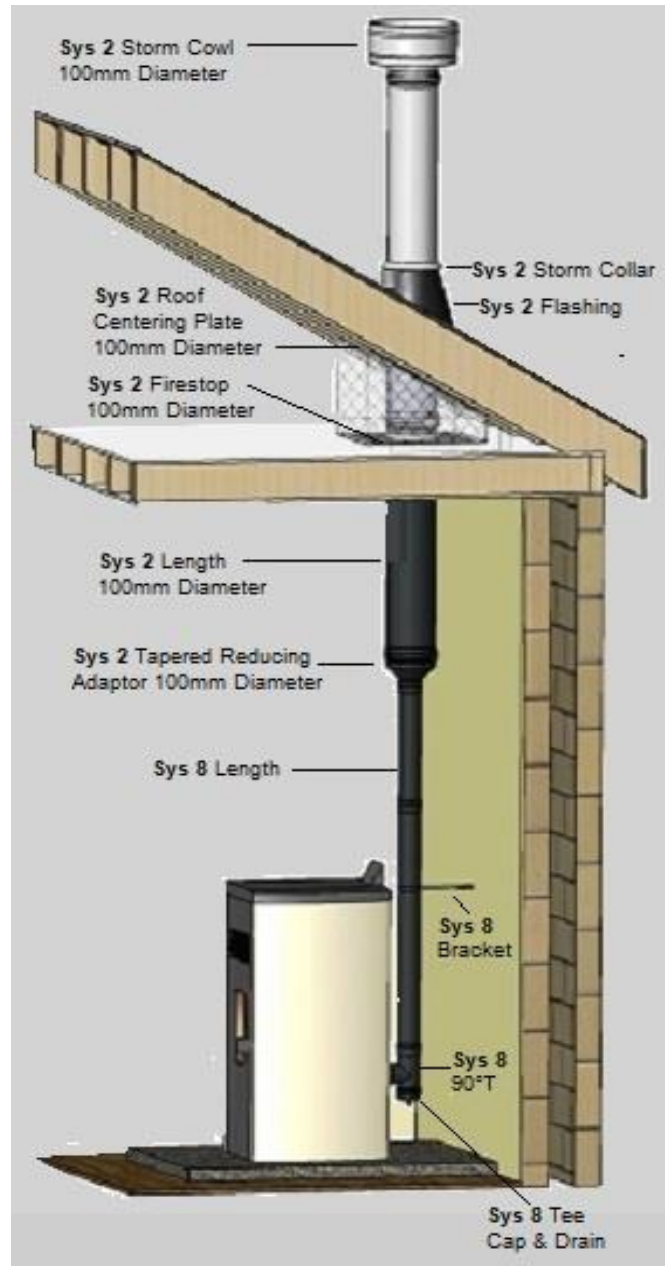
Matt black painted stainless steel Brackets

A Wall Bracket provides lateral support for the flue pipe. It allows the pipe to be positioned 100mm off the wall face. It is not a load bearing support.

Dia	BRACKET	Product Code	Description	Price
80mm	Bracket	NN28	NN28 80mm x WALL BRACKET PAINT Matt Black Pellet Pipe	€ 20.18
100mm	Bracket	NN210	NN210 100mm x WALL BRACKET PAINT Matt Black Pellet Pipe	€ 20.18



Pellet Stove Installation



Installation

The product is easy to handle, but care should be taken when holding, fitting or assembling any part of the system.

Users are advised to use suitable precautions such as gloves, eye/face protection, protective clothing etc. to avoid injury.

Installers should be aware of the Safety, Health and Welfare at Work Act 2005, Safety Health and Welfare at Work (General applications) regulations 2007 and the Safety, Health & Welfare at Work (Construction) Regulations 2013.

Installers should be aware of the possibility of disturbing asbestos when working in older properties. This should be dealt with in accordance with the strict guidance documents.

Particular attention should be taken to ensure suitable PPE is used when applying certain fireclays which can be of a caustic nature, as well as when using any other substance which may be harmful.

