
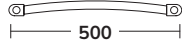









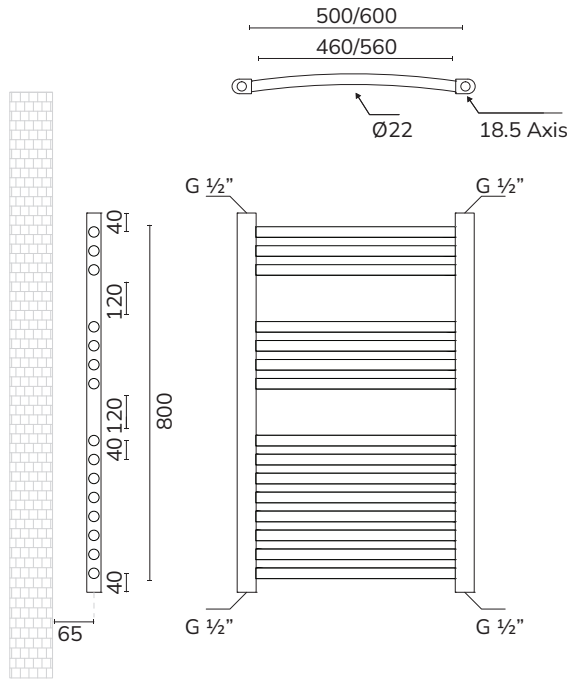
CURVED Towel Rails

MATERIAL	Steel
FIXING	Fix to wall brackets supplied.
STANDARDS	EN442-1, DOP-SON-006/19

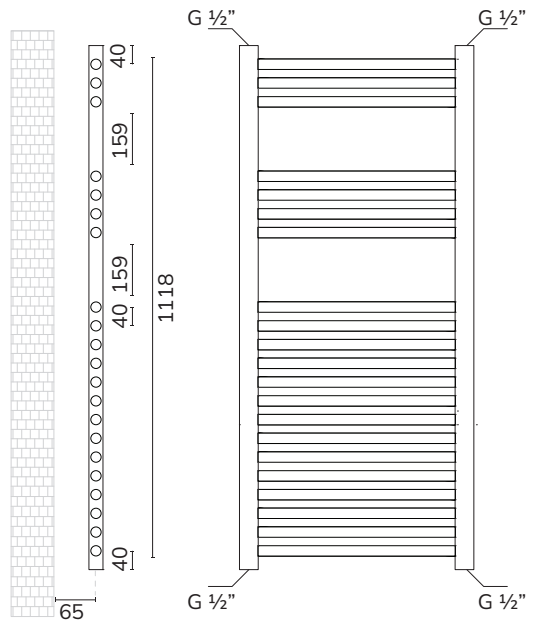
	Height (mm)	Width (mm)
	1800	 500  600
	1200	 500  600
	800	 500  600

Finish/Colour	Pipe Centre (mm)	BTU	Code
Chrome	460	2259	STW185CCP
—	—	—	—
—	—	—	—
Chrome	560	2570	STW186CCP
—	—	—	—
—	—	—	—
Chrome	460	1436	STW125CCP
Anthracite	460	2154	STW125CAT
Matt Black	460	2154	STW125CBLK
Chrome	560	1633	STW126CCP
Anthracite	560	2451	STW126CAT
Matt Black	560	2451	STW126CBLK
Chrome	460	1027	STW085CCP
Anthracite	460	1540	STW085CAT
Matt Black	460	1540	STW085CBLK
Chrome	560	1168	STW086CCP
Anthracite	560	1572	STW086CAT
Matt Black	560	1572	STW086CBLK

800mm Towel Rails



1200mm Towel Rails



1800mm Towel Rails

