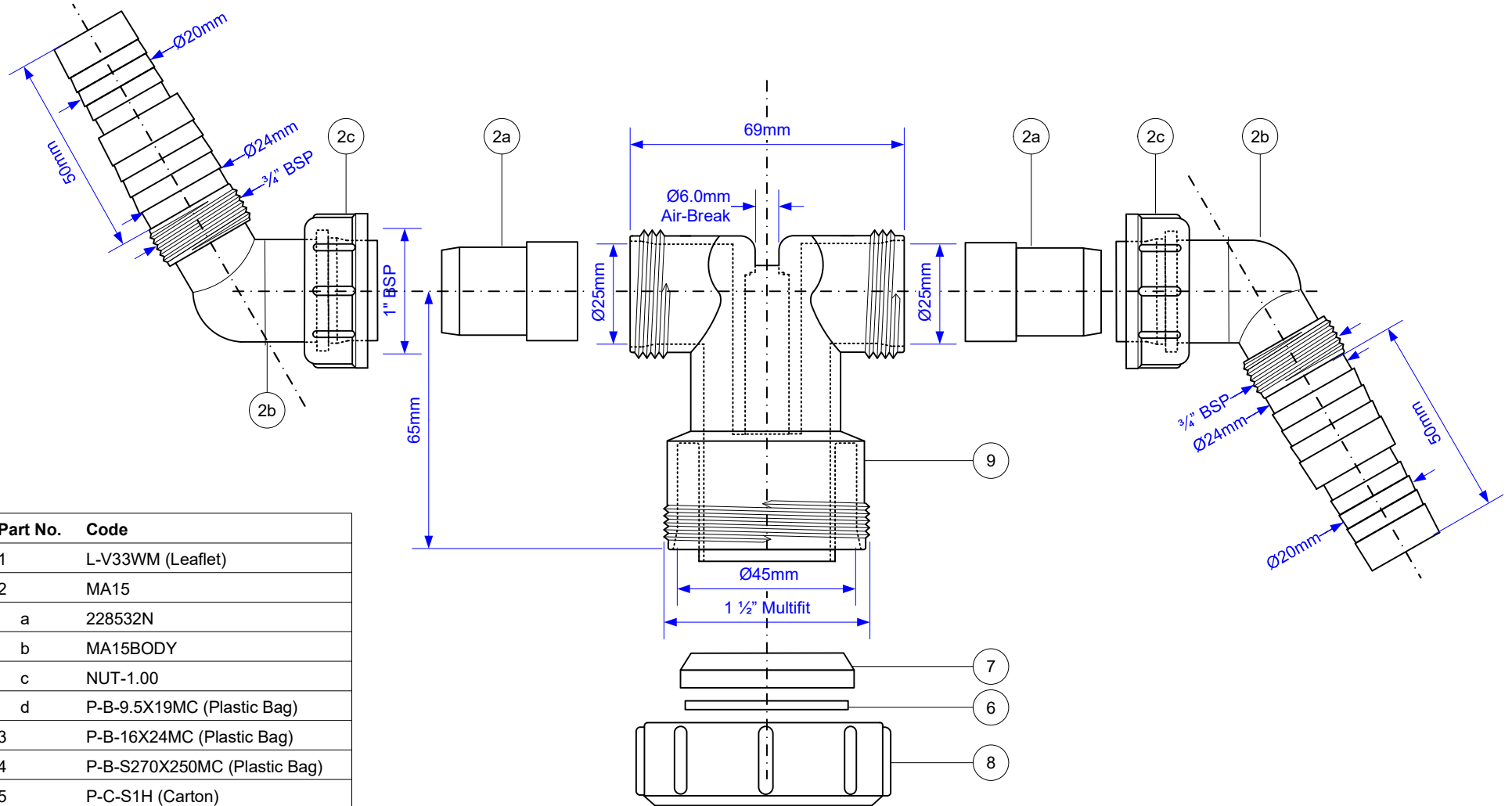


Code:

V33WM



Part No.	Code
1	L-V33WM (Leaflet)
2	MA15
a	228532N
b	MA15BODY
c	NUT-1.00
d	P-B-9.5X19MC (Plastic Bag)
3	P-B-16X24MC (Plastic Bag)
4	P-B-S270X250MC (Plastic Bag)
5	P-C-S1H (Carton)
6	PWM2
7	RWM2
8	T8M
9	V33WMBODY

Drawing verified correct as of:

14/03/2019
RM

DRAWN BY

RM

REVISED

14/03/2019

SCALE

1: 1.5

FILENAME

V33WM.VSD

DATE

14/03/2019