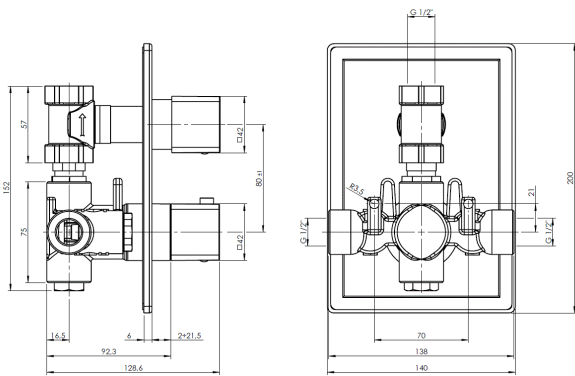


## KIRI 1 DIRECTION CONCEALED SHOWER CHROME ABS



**CONSTRUCTION:** Brass & ABS

**CARTRIDGE/VALVE TYPE:** Thermostatic

**SUPPLY:** Suitable for all plumbing systems

**INLET CONNECTIONS:** 1/2" BSP

**WORKING PRESSURES:** 0.2 - 5.0 bar

**OPERATION:** Separate Flow And Temperature Controls

- 38°C temperature hot stop with override facility
- ABS concealing plate
- Front access filters - No need to disconnect shower from water supply during maintenance
- Concealed shower spindle extension available
- Can be purchased as Separate Valve and Trims - VALVE 1D & TR KIRI 1DA

### KIRI 1DA

### Chrome

#### Open Outlet Flow (Bar - l/min)

BAR	0.3	0.5	1.0	2.0	3.0	4.0	5.0
FLOW	10	13	18.4	26.7	33.1	38.2	41.3



Please Note: Flow rate will be dictated by installation configurations.  
Please ensure to check the appropriate flow restrictor information if applicable.  
\*Please refer to website for full warranty details.

**FREEPHONE: 0800 195 1602 | FAX ORDERS: 08444 068 690 | EMAIL: SALES@UK.METHVEN.COM**

[methven.com](http://methven.com)

THE INFORMATION ON THIS SPECIFICATION DOCUMENT WAS CORRECT AT THE DATE OF ISSUE. SOME VARIATION MAY OCCUR DUE TO THE MANUFACTURING TOLERANCES AND SITE SPECIFIC CONDITIONS.