

Mistakes in foul sewer compliance won't stay buried

Your quick reference guide to pipe compliance for **Irish Water, BCAR** and **Part H** Regulations

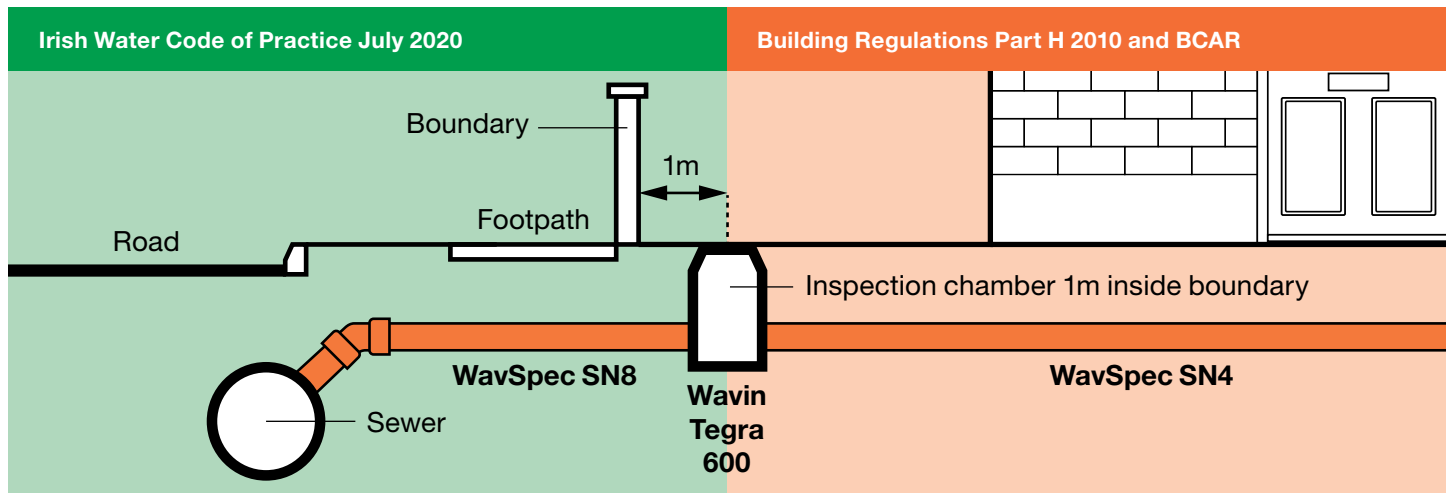
WavSpec // SN8 // R01 * EN1401 D3300 3000

Guaranteed
Irish



The path to compliance

Drainage standards and compliance guidelines for the Republic of Ireland



To avoid any risk of contamination of pipes; Wavin recommends **WavSpec SN8** pipe for all sewer installations.

Select the pipe that meets the criteria you need

WavSpec SN8 – EN13476			WavSpec SN4 – EN13476		
Size (mm)	Product Code	SAP Code	Size (mm)	Product Code	SAP Code
110 [†]	D3761	3066452	110	D3822	3071145
160	D3901	3075198	160	D3823	3071146
244	D3904	3075231	244	E4921	3066980
315	D3905	3075232	315	E4920	3067008

[†]WavSpec SN8 – 110mm diameter is manufactured to EN1401



Select your foul sewer fittings

Wavin's range of fittings are compliant with:

- Irish Water Code of Practice
- Part H Building Regulations 2010
- NSAI Certification for BCAR requirements

Wavin sewer fittings

A wide range of uPVC injection moulded sewer fittings from 110mm to 315mm and certified to EN1401/1:2009.



For assistance with technical specifications and to Book a **FREE** RIAI approved CPD presentation Tel: **+353 1 8020200** or visit www.wavin.ie



Wavin Ireland Limited | Registered Office | Dublin Road | Balbriggan | K32 K840